

## COMBi-CBE4

The innovative Combi-CBE4 is designed to increase productivity, improve safety and help increase your storage capacity both indoors & outdoors.

# COMBiLiFT

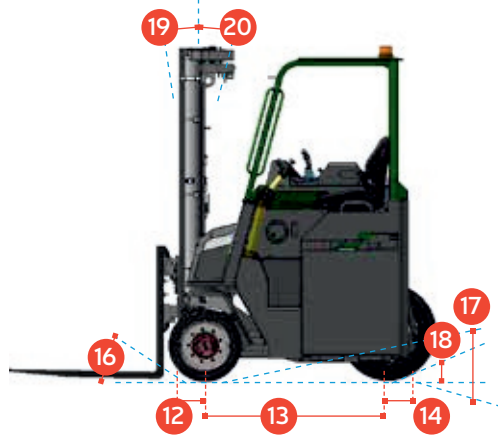
LIFTING INNOVATION



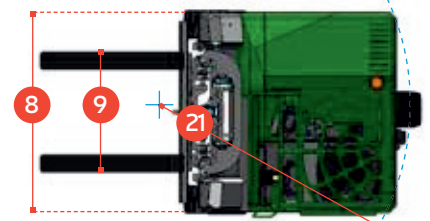
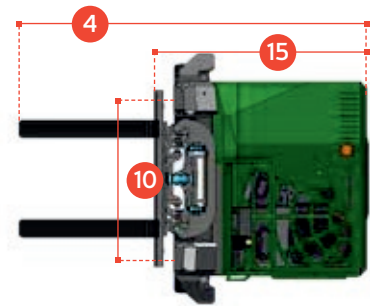
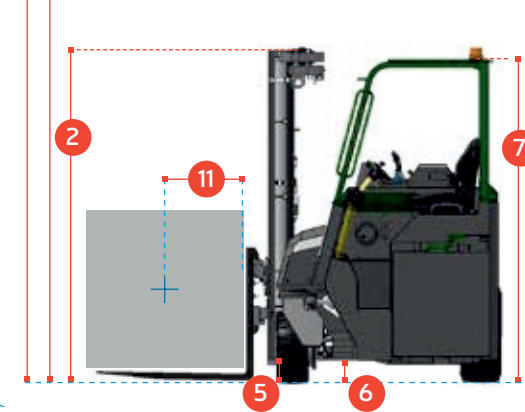
ncnielsen

# COMBI-CBE4

## FRONTAL MODE



## SI DEWARD MODE



REF.	DESCRIPTION	STANDARD
1 a	Max. Lift Height	4040mm
1 b	Free Lift Height	0mm
2	Height Mast Closed	2900mm
3	Max. (Mast raised)	5050mm
4	Overall Length	2893mm
5	Ground Clearance Under Mast	152mm
6	Ground Clearance to Wheelbase Centre	125mm
7	Height of Overhead Guard	2356mm
8	Width	1650mm
9	Outside Spread of Fork Arms	1500mm
10	Track Front	1395mm
11	Load Centre Distance	600mm
12	Overhang Front	325mm
13	Wheelbase	1350mm
14	Overhang Back	153mm
15	Length From Face of Fork	1828mm
16	Approach Angle	30°
17	Ramp Angle	20°
18	Departure Angle	30°
19	Forward Tilt	3°
20	Backward Tilt	7°
21	Minimum Outside Radius	1670mm
A	Capacity	4000 kg
B	Unladen Weight	8750 kg
C	Maximum Ground Speed	11 km/h
D	Gradeability	10%
E	Battery Capacity	72 V / 775 Ah
F	AC Electric Traction Motor x 3	2 x 3 kW (front) / 1 x 5 kW (rear)
G	AC Electric Pump Motor	19 kW
H	Fork Section	150mm x 50mm x 1065mm
I	20 x 9 x 22 Front Tyre x 2 (Solid Rubber)	OD 533mm / Width 229mm
J	28 x 10 x 22 Rear Tyre x 1 (Super Elastic Rubber)	OD 711mm / Width 254mm
K	Standard Colour	Green and Grey
L	Suspension Seat	Grammer MSG 65

## Multi-Directional



### Features Include:

- Open cabin
- Load sensing steering
- 4-Way lever positioning of wheels
- System Communication via CAN-BUS
- Multi-directional operation
- 3 wheel electric drive
- Powered by AC technology

# ncnielsen

Nørregade 66

7860 Balling

Telefon 99 83 83 83

www.nc-nielsen.dk • info@nc-nielsen.dk

Protected by Design Registration Copyright: European Community No.: 000725668-0001|US No.: D579, 624| Canadian No.: 123292|Australian No.: 318370| Russian Federation No.: 70814 |Korean No.: 30-0516087| Japanese No.: 1330896|Taiwan No.: D126056| Chinese No.: ZL200730329732.6

COMBLIFT HAS A POLICY OF CONTINUOUS PRODUCT DEVELOPMENT AND RESERVES THE RIGHT TO ALTER SPECIFICATIONS WITHOUT PRIOR NOTICE. SPECIFICATIONS AND/OR DIMENSIONS MAY VARY FROM THOSE ILLUSTRATED IN SOME COUNTRIES.

nc-nielsen.dk